

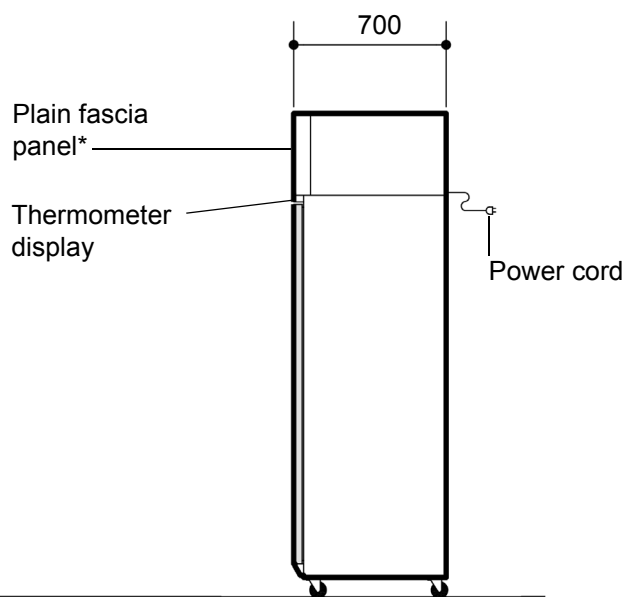
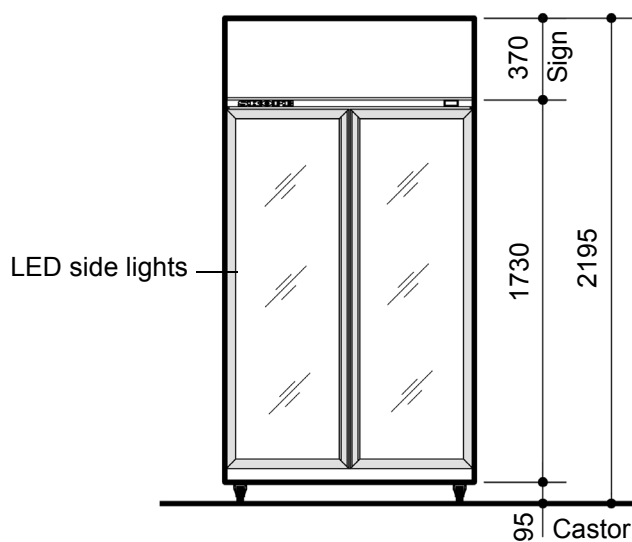
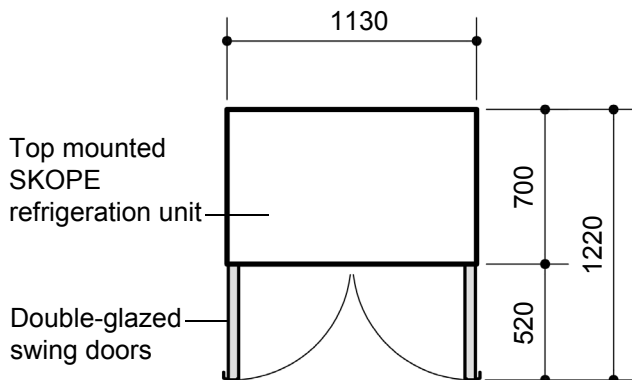
specifications

TME1000

SKOPE Two Door Vertical Chiller
Type: V5080H (LED Lighting)

CABINET DIMENSIONS

	External	Internal
Height:	2195mm	1560mm
Width:	1130mm	1030mm
Depth:	700mm	570mm
Floor area:	0.79m ²	
Insulation:	50mm polyurethane foam	



Copyright © 2011 SKOPE Industries Limited

*NZ models are fitted with an LED illuminated curved sign

CABINET SPECIFICATIONS

Refrigeration system:	Top mounted removable SKOPE Cyclone® refrigeration unit
Refrigerant:	R134a / 410 grams
Nominal capacity:	860 Watts
Cabinet internal volume:	980 litres
Cabinet temperature range:	+1°C to +4°C up to 40°C ambient
Drainage:	No plumbing required
Electrical:	220-240 Volts a.c. 50 Hz, single phase supply, 4.2 Amp
Internal lighting:	2 × 22 Watt T8 LED tubes (Ø26mm × 1500mm)
Sign illumination:	New Zealand models only: 1 × 12 Watt T8 LED tube (Ø26mm × 900mm)
Internal door opening size:	2 door openings: 1556mm high × 482mm wide
Doors:	2 self-closing swing doors with double-glazed toughened safety-glass
Shelves:	5 shelves: 1009mm wide × 475mm deep
Total weight:	227 kg

SKOPE Industries Limited reserve the right to alter specifications without notice.

PSS0268 Rev. 6.0 Jun. 2014



SKOPE INDUSTRIES LIMITED



New Zealand Freephone: 0800 947 5673, Fax: (03) 983 3896. Australian Freephone: 1800 121 535, Freefax: 1800 121 533

Email: enquiry@skope.co.nz Website: www.skope.co.nz